

SERVICE INSTRUCTIONS

1. Do NOT attempt to repair or adjust any electrical or mechanical functions on this unit. Doing so will void the Warranty.
2. If you need to exchange the unit, please return it in its original carton, with a sales receipt, to the store where you purchased it. If you are returning the unit more than 30 days after the date of purchase, please see the enclosed Warranty.
3. If you have any questions or comments regarding this unit's operation or believe any repair is necessary, please call our Consumer Service Department at 1-800-557-4825 or visit our website at www.rivalproducts.com

1-YEAR LIMITED WARRANTY

Sunbeam Products, Inc. doing business as Jarden Consumer Solutions or if in Canada, Sunbeam Corporation (Canada) Limited doing business as Jarden Consumer Solutions (collectively "JCS") warrants that for a period of one year from the date of purchase, this product will be free from defects in material and workmanship. JCS, at its option, will repair or replace this product or any component of the product found to be defective during the warranty period. Replacement will be made with a new or remanufactured product or component. If the product is no longer available, replacement may be made with a similar product of equal or greater value. This is your exclusive warranty. Do NOT attempt to repair or adjust any electrical or mechanical functions on this product. Doing so will void this warranty.

This warranty is valid for the original retail purchaser from the date of initial retail purchase and is not transferable. Keep the original sales receipt. Proof of purchase is required to obtain warranty performance. JCS dealers, service centers, or retail stores selling JCS products do not have the right to alter, modify or any way change the terms and conditions of this warranty.

This warranty does not cover normal wear of parts or damage resulting from any of the following: negligent use or misuse of the product, use on improper voltage or current, use contrary to the operating instructions, disassembly, repair or alteration by anyone other than JCS or an authorized JCS service center. Further, the warranty does not cover: Acts of God, such as fire, flood, hurricanes and tornadoes.

What are the limits on JCS's Liability?

JCS shall not be liable for any incidental or consequential damages caused by the breach of any express, implied or statutory warranty or condition.

Except to the extent prohibited by applicable law, any implied warranty or condition of merchantability or fitness for a particular purpose is limited in duration to the duration of the above warranty.

JCS disclaims all other warranties, conditions or representations, express, implied, statutory or otherwise.

JCS shall not be liable for any damages of any kind resulting from the purchase, use or misuse of, or inability to use the product including incidental, special, consequential or similar damages or loss of profits, or for any breach of contract, fundamental or otherwise, or for any claim brought against purchaser by any other party.

Some provinces, states or jurisdictions do not allow the exclusion or limitation of incidental or consequential damages or limitations on how long an implied warranty lasts, so the above limitations or exclusion may not apply to you.

This warranty gives you specific legal rights, and you may also have other rights that vary from province to province, state to state or jurisdiction to jurisdiction.

How to Obtain Warranty Service

In the U.S.A.

If you have any question regarding this warranty or would like to obtain warranty service, please call 1-800-557-4825 and a convenient service center address will be provided to you.

In Canada

If you have any question regarding this warranty or would like to obtain warranty service, please call 1-800-557-4825 and a convenient service center address will be provided to you.

In the U.S.A., this warranty is offered by Sunbeam Products, Inc. doing business as Jarden Consumer Solutions located in Boca Raton, Florida 33431. In Canada, this warranty is offered by Sunbeam Corporation (Canada) Limited doing business as Jarden Consumer Solutions, located at 20 B Herford Street, Brampton, Ontario L6Y 0M1. If you have any other problem or claim in connection with this product, please write our Consumer Service Department.

PLEASE DO NOT RETURN THIS PRODUCT TO ANY OF THESE ADDRESSES OR TO THE PLACE OF PURCHASE.

© 2012 Sunbeam Products, Inc. doing business as Jarden Consumer Solutions. All rights reserved. Distributed by Sunbeam Products, Inc. doing business as Jarden Consumer Solutions, Boca Raton, FL33431.

www.rivalproducts.com

Printed in China

GCDS-RIV25630-DL

P.N. 159942



16 QT. ROASTER OVEN



Customer Assistance:
1-800-557-4825
www.rivalproducts.com

IMPORTANT SAFEGUARDS

When using electrical appliances, basic safety precautions should always be followed, including the following:

1. **Read all instructions before using.**
2. Do not touch hot surfaces. Use handles or knobs.
3. To protect against electrical shock do not immerse roaster base, cord, or plug in water or other liquid.
4. Close supervision is necessary when any appliance is used by or near children.
5. Unplug from outlet when not in use and before cleaning. Allow to cool before putting on or taking off parts and before cleaning.
6. Do not operate roaster oven with a damaged cord or plug or after the appliance malfunctions, or has been damaged in any manner. Return appliance to the manufacturer (see warranty) for examination, repair, or adjustment.
7. Do not use outdoors.
8. Do not let cord hang over edge of table or counter, or touch hot surfaces, including the stove.
9. Do not place on or near a hot gas or electric burner or in a heated oven.
10. Extreme caution must be used when moving an appliance containing hot oil or other hot liquids.
11. **CAUTION:** Steam escaping from under cover or food warming pans is hot and can cause burns.
12. Do not use appliance for other than its intended use.
13. Use oven mitts to remove the REMOVABLE ROASTING PAN from the roaster oven; or to remove a baking pan or cooked food from the REMOVABLE ROASTING PAN.
14. To disconnect, turn TEMPERATURE CONTROL to OFF, then remove plug from wall outlet.
15. Some countertop surfaces such as Corian® and other surfaces are not designed to withstand the prolonged heat generated by certain appliances. We recommend placing a hot plate or trivet under your Rival® product to prevent possible damage to the surface.

E2

THIS UNIT IS INTENDED FOR HOUSEHOLD USE ONLY

These appliances are for HOUSEHOLD USE ONLY. No user-serviceable parts inside. Do not attempt to service these products. Do not immerse base in water or other liquid.

This appliance has a polarized alternating current plug (one blade is wider than the other). To reduce the risk of electric shock, as a safety feature, this plug will fit in a polarized outlet only one way. If the plug does not insert fully in the outlet, reverse the plug. If it still fails to fit, contact a qualified electrician.

DO NOT ATTEMPT TO DEFEAT THIS SAFETY FEATURE.

EXTENSION CORD USE

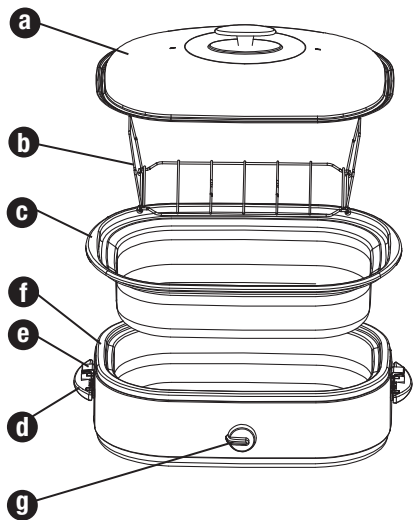
A short power supply cord is provided to reduce the hazards resulting from entanglement or tripping over a longer cord. AN EXTENSION CORD MAY BE USED WITH CARE; HOWEVER, THE MARKED ELECTRICAL RATING SHOULD BE AT LEAST AS GREAT AS THE ELECTRICAL RATING OF THE ROASTER OVEN. The extension cord should not be allowed to drape over the counter or tabletop where it can be pulled on by children or tripped over.

SAVE THESE INSTRUCTIONS

Thank you for purchasing the Rival® Roaster Oven. Before you use this product for the first time, please take a few moments to read these instructions and keep it for reference. Pay particular attention to the Safety Instructions provided. Please review the product service and warranty statements. To learn more about Rival® products, please visit us at www.rivalproducts.com or call us at 1-800-557-4825.

E3

LEARNING ABOUT YOUR ROASTER OVEN



- | | |
|--|------------------------------|
| a Lid | e Lid rest |
| b Removable roasting rack | f Roaster oven body |
| c Wide mouth removable roasting pan | g Temperature control |
| d Side handles | |

E4

PREPARING YOUR ROASTER OVEN FOR USE

1. Remove all packaging materials.
2. Wash the REMOVABLE ROASTING PAN, ROASTING RACK and LID in hot, soapy water using a sponge or wash cloth. Rinse thoroughly.
3. The outside of the ROASTER OVEN BODY may be cleaned with a soft cloth and warm soapy water. Wipe dry. Do not use abrasive cleaners. Do not immerse the ROASTER OVEN BODY in water.

NOTE: Due to manufacturing process, some smoke and odor may be noticed during the first use. This should disappear after the first heating of the roaster oven.

IMPORTANT POINTS

- Always use the REMOVABLE ROASTING PAN in the roaster oven when cooking.
NOTE: Never place food or liquid directly into the ROASTER OVEN BODY.
- Avoid the steam vents when removing or lifting the LID.
- Significant amounts of heat escape whenever the LID is removed; therefore the cooking time must be extended. Avoid frequent removal of the LID for checking cooking progress or stirring.
- To use the LID REST feature, hold the LID upright by the HANDLE and place the edge of the LID under the metal tabs just above either side HANDLE.
- Convenience foods can be baked in the roaster oven. Place container on ROASTING RACK. Follow package directions.
- Meats roasted in your Roaster Oven will be moist and tender. For additional browning, brush oil or butter over the meat before cooking.
- To create a darker roasted, crispier skin poultry, do not add liquids (with the exception of the basting butter or oil) until there are only 30 minutes left of cooking.

E5

HOW TO:

USING YOUR ROASTER OVEN

1. Place the REMOVABLE ROASTING PAN into the ROASTER OVEN BODY.
2. Make sure that the TEMPERATURE CONTROL is in the OFF position, then plug cord into a 120 volt AC outlet.
3. Turn the roaster on by turning the TEMPERATURE CONTROL to the desired temperature.
4. Preheat for 15 to 20 minutes.
5. Place ROASTING RACK into the REMOVABLE ROASTING PAN, put food on the RACK, and place the LID on the roaster oven.
NOTE: Some foods or recipes do not require the ROASTING RACK to be used.
6. When finished, turn the TEMPERATURE CONTROL to the OFF position and unplug roaster oven from outlet.
7. Remove LID and using oven mitts, remove the ROASTING RACK with food and serve.

CARE & CLEANING

This appliance should be cleaned after every use.

NOTE: Do not immerse the ROASTER OVEN BODY in water or other liquid. Do not put REMOVABLE ROASTING PAN in dishwasher.

1. Turn temperature control to the "OFF" position.
2. Unplug the roaster oven from outlet and allow unit to cool.
3. Allow the roaster oven to cool completely before cleaning.
4. Wash the REMOVABLE ROASTING PAN, LID and ROASTING RACK in hot soapy water – using a sponge or cloth. Rinse thoroughly in hot water, then towel dry.
5. Wipe the inside and outside of the ROASTER OVEN BODY with a damp cloth

COOKING GUIDE

Determining Meat Doneness

It is recommended that you use a meat thermometer to determine doneness when cooking meat and poultry. Insert the thermometer into the center of the thickest portion of the meat. Cook until temperature for desired doneness is reached.

MEAT	RARE	MEDIUM	WELL DONE
BEEF	140° F	160° F	170° F
PORK	*	160° F	170° F
LAMB	140° F	160° F	170° F
SMOKED HAM Cook before eating Fully Cooked	*		160° F 140° F
POULTRY Roasting Chicken Turkey	*		180° F 180° F

* Rare pork, ham or poultry is not recommended.

Roasting Meats And Poultry

Meats will cook more rapidly in the Roaster Oven than a conventional oven. Reducing temperature and increasing time will result in a browner, crispier crust. Times indicated below are approximate and should be used as a guideline only.

MEAT	WEIGHT (LBS.)	TEMP.	MIN./LB.
BEEF ROASTS			
Standing Rib	4 – 6	325° F	17 to 21
Sirloin Tip	3 – 5	350° F	17 to 21
Tenderloin	3½ – 4	450° F	7 to 10
Pot Roast	4 – 6	300° F	26 to 34
Corned Beef	3½ – 4	300° F	15 to 17
LAMB			
Leg	5 – 8	350° F	20 to 22
Shoulder, boneless	3 – 4	350° F	20 to 22
PORK			
Loin Roast	3 – 5	350° F	21 to 26
Rolled Shoulder	4 – 6	350° F	30 to 34
Chops	4 – 5	325° F	15 to 17
Country-Style Ribs	8 – 10	450° F to brown and then decrease temp. to 250° F	15 to 17
SMOKED HAM			
Bone-in, shank	10 – 15	325° F	17 to 21
Boneless	8 – 12	325° F	15 to 17
Fully cooked	5 – 10	325° F	13 to 24
VEAL			
Loin	4 – 6	325° F	26 to 30
Shoulder	3 – 5	325° F	26 to 30
POULTRY			
Chicken, whole	3½ – 5	350° F	13 to 15
Chicken, whole	6 – 8	350° F	15 to 17
Chicken, pieces	6 – 8	350° F	7 to 9
Turkey, prebasted	10 – 14	375° F	12 to 15
Turkey, prebasted	14 – 22	375° F	13 to 15
Turkey, fresh	10 – 14	350° F	15 to 17

E8

Baking*

- Baking pans should always be placed on the ROASTING RACK. Do not place pans on bottom of REMOVABLE ROASTING PAN.
- Metal pans are recommended for use in the roaster as they provide better heat transfer and browning.

FOOD	TEMP. SETTING	BAKING TIME (MIN)
MUFFINS	425° F	15 to 20
QUICK BREAD	375° F	65 to 75
YEAST BREAD	400° F	40 to 45
YEAST ROLLS	400° F	18 to 20
COOKIES	350° F	11 to 13
BROWNIES	350° F	25 to 30
CUPCAKES	350° F	25 to 30
SHEET CAKE	350° F	40 to 45
POUND CAKE	350° F	50 to 60
BUNDT CAKE	350° F	50 to 60
CHEESECAKE	325° F	50 to 60
FRUIT PIE	425° F	45 to 50
CUSTARD PIE	350° F	50 to 60
PASTRY SHELL	425° F	10 to 13
PIZZA (9-INCH)	425° F	20 to 25
BAKED POTATOES	350° to 400° F	50 to 60
SWEET POTATOES	350° to 400° F	55 to 65
SCALLOPED POTATOES	350° F	75 to 90
WINTER SQUASH	400° F	45 to 60
BAKED APPLES	350° F	35 to 45

* Always preheat roaster prior to baking

E9

RECIPES

LEMON GARLIC ROAST CHICKEN

4 to 5-lb. chicken	2 tablespoons lemon juice
3 cloves garlic, minced	½ teaspoon ground black pepper
1 teaspoon salt	¼ cup butter, softened

Rinse chicken in cold water. Combine remaining ingredients and rub over skin and between skin and meat of chicken. Place roasting rack in cooking pan. Place chicken on roasting rack and cover. Bake at 350°F for 1½ hours or until chicken is done.

BAKED POTATOES

8 to 12 baking potatoes

Wash potatoes and pierce with a fork. Place rack in the pan. Stack potatoes on roasting rack, making sure that they don't touch the sides of cooking pan. Cover and bake at 400°F for 1 to 1½ hours.

POT LUCK BEEF STEW

8 -lbs. beef stew meat	15 potatoes, peeled and cubed
2 cups dry bread crumbs	2 tablespoons basil
2 teaspoons salt	2 cups quick-cooking tapioca
½ teaspoon pepper	8 cans (4 ounces) sliced mushrooms, undrained
4 large onions, cut into eighths	8 cups beef broth
15 cans (10½-oz. each) condensed tomato soup	7 stalks celery
4 pounds baby carrots	

Toss stew meat with bread crumbs, salt and pepper. Place beef in pan and add remaining ingredients; stir well. Cover and roast at 250° F. for 4 to 5 hours or until meat and vegetables are tender.

E10

RECIPES

CHILI FOR A CROWD

3 pounds dry pinto beans, soaked and drained	5 cloves garlic, minced
2 jalapeno peppers, finely chopped	1 can (28-oz.) diced tomatoes
10 pounds ground chuck, browned and drained	3 tablespoons cumin
12 cups water	¾ cup chili powder
2 green peppers, chopped	3 cups tomato juice
	2 onions, chopped
	3 cans (10½-oz. each) tomatoes and chilies

Preheat roaster to 350° F. Combine first 8 ingredients in roaster. Cover, cook for 2½ hours. Add remaining ingredients. Cover and cook an additional 30 minutes to 1 hour.

MEATBALLS

5 pounds ground beef	1½ teaspoons salt
1 cup Italian seasoned fine, dry bread crumbs	½ teaspoon pepper
	5 eggs

Preheat roaster with pan in place to 425° F. Combine all ingredients. Form into 1-inch balls. Place meatballs in pan. Cover; Bake 30 to 45 minutes or until done. Stir occasionally to brown on all sides. Makes approximately 75 meatballs.

PEPPER CRUSTED BRAISED SHORT RIBS

6 - 9 pounds beef short ribs	15 cloves garlic, minced
¼ cup freshly cracked black pepper	5 (14½-oz.) cans beef broth
2 teaspoons salt	1 cup red wine, optional

Preheat roaster to 450° F. Rub ribs on all sides with pepper and garlic. Sprinkle with salt. Place ribs in cooking pan and cover. Cook 15-30 minutes, turning to brown on all sides. Pour broth over ribs. Cover, reduce heat to 300° F and cook until tender, 2 to 2½ hours.

E11

RECIPES

SPAGHETTI SAUCE

1 can (48-oz.) tomato juice	½ cup basil leaves
4 cans (28-oz.) diced tomatoes	¼ cup oregano leaves
2 cans (12-oz.) tomato paste	1½ tablespoons parsley
2 tablespoons Worcestershire sauce	1 tablespoon thyme
6 cups water	1 tablespoon salt
5 cloves garlic, minced	1 teaspoon pepper

Turn roaster to 350° F. Add all ingredients to an oven safe dish, stirring well to combine. Cover, cook 3 to 4 hours until thick, adding meatballs during last 1 to 1½ hours. Stir occasionally.

SPICY BEEF ROAST

2 (2½ to 3-lb.) beef tip or rump roast	¼ cup soy sauce
2 - 3 tablespoons cracked black peppercorns	2 tablespoons Worcestershire sauce
4 cloves garlic, minced	1½ teaspoons dry mustard
3 tablespoons balsamic vinegar	½ teaspoon salt

Preheat roaster to 350° F. Make several slits in top of roasts. Place roasts on rack. Set rack in roaster. Combine vinegar, soy sauce, Worcestershire sauce and mustard. Brush marinade over roasts. Combine cracked pepper and garlic. Rub over meat. Sprinkle with salt. Cover; roast 20 to 25 minutes per pound or until roast reaches desired doneness.

E12

RECIPES

PORK ROAST

4 - 5 lb. pork loin roast	½ teaspoon pepper
4 cloves garlic, minced	½ cup Italian dressing
1 teaspoon salt	¼ cup Worcestershire sauce

Preheat roaster to 350° F. Place roast on rack. Press minced garlic into surface of the roast. Place rack in roaster. Combine dressing and Worcestershire sauce. Brush roast with marinade. Cover; cook for 2 to 2 ½ hours or until done.

BAKED BEANS

2 cans (7-lbs. each) pork and beans	½ cup Worcestershire sauce
1½ cup molasses	2 tablespoons dry mustard powder
1¼ cup ketchup	¾ cup prepared barbecue sauce
1 pound bacon, cooked until just crisp and cut up	

Combine all ingredients in an oven safe dish and place in roaster pan. Cover and cook at 300° F for 2 hours or until heated through. Stir occasionally.

E13

INSTRUCCIONES DE SERVICIO

1. NO intente reparar o ajustar ninguna función eléctrica o mecánica de esta unidad. Al hacerlo eliminaría la garantía.
2. Si necesita cambiar la unidad, devuélvala en su empaque original, con el recibo de compra, a la tienda donde la compró. Si va a devolverla a más de 30 días después de la fecha de compra, consulte la garantía adjunta.
3. Si tiene alguna pregunta o comentario sobre el funcionamiento de esta unidad o cree que es necesario repararla, llame a nuestro Departamento de Servicio al Cliente al 1-800-557-4825 o visite nuestro sitio en Internet en www.rivalproducts.com

GARANTÍA LIMITADA DE 1 AÑO

Sunbeam Products, Inc. operando bajo el nombre de Jarden Consumer Solutions, o en Canadá, Sunbeam Corporation (Canada) Limited operando bajo el nombre de Jarden Consumer Solutions, (en forma conjunta, "JCS"), garantiza que por un periodo de un año a partir de la fecha de compra, este producto estará libre de defectos de materiales y mano de obra. JCS, a su elección, reparará o reemplazará este producto o cualquier componente del mismo que presente defectos durante el período de garantía. El reemplazo se realizará por un producto o componente nuevo o reparado. Si el producto ya no estuviera disponible, se lo reemplazará por un producto similar de valor igual o superior. Esta es su garantía exclusiva. No intente reparar o ajustar ninguna función eléctrica o mecánica de este producto. Al hacerlo eliminará esta garantía.

La garantía es válida para el comprador minorista original a partir de la fecha de compra inicial y la misma no es transferible. Conserve el recibo de compra original. Para solicitar servicio en garantía se requiere presentar un recibo de compra. Los agentes y centros de servicio de JCS o las tiendas minoristas que venden productos de JCS no tienen derecho a alterar, modificar ni cambiar de ningún otro modo los términos y las condiciones de esta garantía.

Esta garantía no cubre el desgaste normal de las piezas ni los daños que se produzcan como resultado de uso negligente o mal uso del producto, uso de voltaje incorrecto o corriente inapropiada, uso contrario a las instrucciones operativas, y desarme, reparación o alteración por parte de un tercero ajeno a JCS o a un Centro de Servicio autorizado por JCS. Asimismo, la garantía no cubre actos fortuitos tales como incendios, inundaciones, huracanes y tornados.

¿Cuál es el límite de responsabilidad de JCS?

JCS no será responsable de daños incidentales o emergentes causados por el incumplimiento de alguna garantía o condición expresa, implícita o legal.

Excepto en la medida en que lo prohíba la ley aplicable, cualquier garantía o condición implícita de comerciabilidad o aptitud para un fin determinado se limita, en cuanto a su duración, al plazo de la garantía antes mencionada.

JCS queda exenta de toda otra garantías, condiciones o manifestaciones, expresa, implícita, legal o de cualquier otra naturaleza.

JCS no será responsable de ningún tipo de daño que resulte de la compra, uso o mal uso del producto, o por la imposibilidad de usar el producto, incluidos los daños incidentales, especiales, emergentes o similares, o la pérdida de ganancias, ni de ningún incumplimiento contractual, sea de una obligación esencial o de otra naturaleza, ni de ningún reclamo iniciado contra el comprador por un tercero.

Algunas provincias, estados o jurisdicciones no permiten la exclusión o limitación de los daños incidentales o emergentes ni las limitaciones a la duración de las garantías implícitas, de modo que es posible que la exclusión o las limitaciones antes mencionadas no se apliquen en su caso.

Esta garantía le otorga derechos legales específicos y es posible que usted tenga otros derechos que varían de un estado, provincia o jurisdicción a otro.

Cómo solicitar el servicio en garantía

En los Estados Unidos

Si tiene alguna pregunta sobre esta garantía o desea recibir servicio de garantía, llame al 1-800-557-4825 y podrá obtener la dirección del centro de servicio que le resulte más conveniente.

En Canadá

Si tiene alguna pregunta sobre esta garantía o desea recibir servicio de garantía, llame al 1-800-557-4825 y podrá obtener la dirección del centro de servicio que le resulte más conveniente.

En los Estados Unidos, esta garantía es ofrecida por Sunbeam Products, Inc. operando bajo el nombre de Jarden Consumer Solutions, Boca Raton, Florida 33431. En Canadá, esta garantía es ofrecida por Sunbeam Corporation (Canada) Limited operando bajo el nombre de Jarden Consumer Solutions, 20 B Hereford Street, Brampton, Ontario L6Y 0M1. Si usted tiene otro problema o reclamo en conexión con este producto, por favor escriba al Departamento de Servicio al Consumidor.

POR FAVOR NO DEVUELVA ESTE PRODUCTO A NINGUNA DE ESTAS DIRECCIONES NI AL LUGAR DE COMPRA.

© 2012 Sunbeam Products, Inc. operando bajo el nombre de Jarden Consumer Solutions. Todos los derechos reservados. Distribuido por Sunbeam Products, Inc. operando bajo el nombre de Jarden Consumer Solutions, Boca Raton, Florida 33431.

www.rivalproducts.com

Impreso en China



HORNO ASA DOR DE 16 QT.



Servicio de Asistencia al Cliente:
www.rivalproducts.com
1-800-557-4825

PRECAUCIONES IMPORTANTES

Al usar aparatos eléctricos, siempre debe seguir precauciones básicas de seguridad, incluyendo las siguientes:

1. **Lea completamente las instrucciones antes de utilizarlo.**
2. No toque las superficies calientes. Utilice las asas o perillas.
3. Para evitar una descarga eléctrica, no sumerja la base del horno, el cable o el enchufe en agua o cualquier otro líquido.
4. Tenga mucho cuidado al utilizar cualquier aparato eléctrico cerca de niños.
5. Desenchúfelo del tomacorriente cuando no lo utilice y antes de limpiarlo. Deje que se enfríe antes de ponerle o quitarle partes, y antes de limpiarlo.
6. No utilice el horno si el cable o el enchufe están dañados o luego de una falla, o si ha sufrido cualquier tipo de daño. Devuelva el artefacto (vea garantía) para su examen, reparación o ajuste mecánico o eléctrico.
7. No lo utilice en el exterior.
8. No permita que el cable cuelgue por el borde de la mesa o mesada, o que toque superficies calientes, incluyendo la estufa.
9. No lo coloque sobre o cerca de un quemador eléctrico o a gas, o dentro de un horno caliente.
10. Debe tener mucho cuidado al mover un artefacto que contenga aceite u otros líquidos calientes.
11. **CUIDADO:** El vapor que sale por debajo de la tapa o de las cacerolas de comida está caliente y puede causar quemaduras.
12. No utilice el artefacto para ningún otro uso distinto al indicado.
13. Utilice guantes protectores para remover la BANDEJA ASADORA del horno, o para remover una cacerola o comida de la BANDEJA ASADORA.
14. Para desconectarlo, gire el control de temperatura a la posición OFF, luego saque el enchufe del tomacorriente.
15. Algunas superficies de mesada como Corian® no están diseñadas para soportar el calor generado por ciertos artefactos durante mucho tiempo. Le recomendamos colocar una base para el calor o posafuentes debajo de su producto Rival® para evitar dañar la superficie.

PARA USO DOMÉSTICO SÓLAMENTE

Este artefacto es para uso DOMÉSTICO ÚNICAMENTE. No posee partes reparables por el usuario en su interior. No intente reparar este producto. No sumerja la base en agua o ningún otro líquido. Este artefacto tiene un enchufe polarizado (una de las patas es más ancha que la otra). Para reducir el riesgo de una descarga eléctrica, este enchufe entra de una sola forma en un tomacorriente polarizado. De no ser así, inviértalo, y si aún no entra, llame a un electricista calificado.

NO INTENTE IGNORAR ESTA CARACTERÍSTICA DE SEGURIDAD.

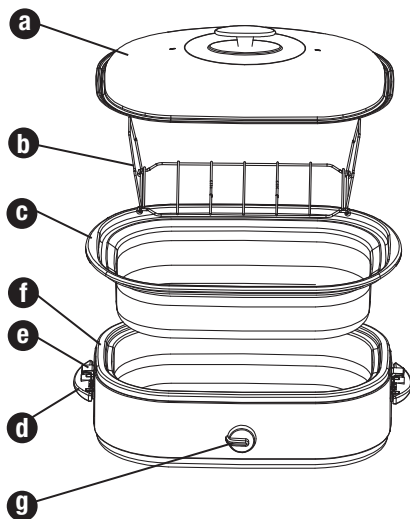
USO DE UN CABLE DE EXTENSIÓN

El aparato viene con un cable corto de suministro de potencia para reducir el riesgo que resulta de enredarse o tropezar con un cable más largo. Se puede usar un cable de extensión con precaución. Si se usa un cable de extensión, la calificación eléctrica del cable debe ser al menos igual que la del aparato. El cable de extensión se debe acomodar de manera que no quede colgando sobre la superficie del mostrador o mesa donde los niños lo pueden halar o se puedan tropezar accidentalmente.

CONSERVE ESTAS INSTRUCCIONES

Gracias por comprar el Horno Asador Rival®. Antes de usar este producto por primera vez, tómese un momento para leer estas instrucciones y consérvelas para referencia. Preste particular atención a las instrucciones de seguridad que se ofrecen. Revise la declaración de servicio y garantía del producto. Para conocer más acerca de los productos de Rival®, visítenos en www.rivalproducts.com o llámenos al 1-800-557-4825.

APRENDER ACERCA DE SU HORNO ASADOR



- a** Lid
- b** Parrilla asadora removible
- c** Cacerola asadora removible de boca ancha
- d** Mangos laterales
- e** Apoyo para la tapa
- f** Cuerpo del horno asador
- g** Control de temperatura

S4

PREPARAR SU HORNO DE ASADOR PARA EL USO

1. Remueva todos los materiales de empaque.
2. Lave la BANDEJA ASADORA REMOVIBLE, la PARRILLA ASADORA y la TAPA en agua caliente jabonosa con una esponja o trapo para lavar. Enjuáguelos bien.
3. El exterior del CUERPO DEL HORNO se puede limpiar con un trapo suave y agua tibia jabonosa. Séquelo bien. No utilice limpiadores abrasivos. No sumerja el CUERPO DEL HORNO en agua.

NOTA: Debido al proceso de fabricación, puede notar algo de olor y humo durante su primer uso. Esto debe desaparecer luego de calentar el horno por primera vez.

PUNTOS IMPORTANTES

- Siempre utilice la CACEROLA ASADORA REMOVIBLE en el horno al cocinar.
NOTA: Nunca coloque comida o líquido directamente dentro del CUERPO DEL HORNO.
- Evite acercarse a las ranuras de vapor al quitar o levantar la TAPA.
- Al quitar la TAPA se desprende una cantidad considerable de calor; por lo tanto debe extenderse el tiempo de cocción. Evite quitar la TAPA muy seguido para verificar el progreso de la cocción o para revolver.
- Para utilizar el APOYO DE LA TAPA, sostenga la TAPA en posición vertical mediante el asa y coloque el borde de la TAPA debajo de las pestañas sobre cualquiera de las ASAS laterales.
- Se pueden cocinar comidas rápidas en el horno asador. Coloque el contenedor en la PARRILLA ASADORA. Siga las instrucciones del paquete.
- Las carnes asadas en su horno asador resultarán jugosas y tiernas. Para tostado adicional, recubra la carne con aceite o manteca antes de cocinarla.
- Para crear un asado más oscuro, pieles más secas en las aves, no agregue líquidos (excepto el recubrimiento de manteca o aceite) hasta que falten solo 30 minutos de cocción.

S5

COMO:

USANDO SU HORNO ASADOR

1. Coloque la CACEROLA ASADORA REMOVIBLE dentro del HORNO ASADOR.
2. Asegúrese de que el CONTROL DE TEMPERATURA esté en la posición OFF, luego enchufe el cable en un tomacorriente de 120 voltios CA.
3. Encienda el horno girando el CONTROL DE TEMPERATURA hasta la temperatura deseada.
4. Precaliente el horno por unos 15 o 20 minutos.
5. Coloque la PARRILLA ASADORA dentro de la CACEROLA ASADORA REMOVIBLE, coloque la comida en la PARRILLA y coloque la TAPA sobre el horno. **NOTA:** Algunas comidas o recetas no necesitan usar la PARRILLA ASADORA.
6. Cuando termine, gire el CONTROL DE TEMPERATURA hasta la posición OFF y desenchufe el horno del tomacorriente.
7. Quite la TAPA y usando guantes protectores, remueva la PARRILLA ASADORA con comida y sírvala.

CUIDADO Y LIMPIEZA

Este aparato se debe limpiar después de cada uso.

NOTA: No sumerja el CUERPO DEL HORNO en agua u otro líquido. No ponga la CACEROLA ASADORA REMOVIBLE en el lavavajillas.

1. Gire el control de temperatura hasta la posición OFF.
2. Desenchufe el horno del tomacorriente y deje que se enfríe.
3. Permita que se enfríe completamente antes de limpiarlo.
4. Lave la BANDEJA ASADORA REMOVIBLE, la PARRILLA ASADORA y la TAPA en agua caliente jabonosa con una esponja o trapo para lavar. Enjuáguelos bien con agua caliente, luego séquelos con un repasador.
5. Repase el interior y exterior del CUERPO DEL HORNO con un trapo húmedo

GUÍA DE COCINA

Determinación de Grados de Cocción de Carnes

Le recomendamos utilizar un termómetro de carnes para determinar el grado de cocción al preparar carnes y aves. Inserte el termómetro en el centro de la parte más gruesa de la carne. Cocínela hasta alcanzar la temperatura de cocción deseada.

CARNE	A LA INGLESA	TÉRMINO MEDIO	BIEN COCIDA
CARNE DE VACA	140° F	160° F	170° F
CERDO	*	160° F	170° F
CORDERO	140° F	160° F	170° F
JAMÓN AHUMADO	*		
Crudo			160° F
Cocido			140° F
AVES	*		
Pollo Asado			180° F
Pavo			180° F

* No se recomienda el cerdo, jamón o aves a la inglesa.

Carnes Y Aves Asadas

Las carnes se cocinan más rápidamente en el Horno Asador que en un horno común. Al reducir la temperatura y aumentar el tiempo obtendrá una corteza más dorada y crocante. Los tiempos indicados a continuación son aproximados y deben utilizarse como guía solamente.

CARNE	PESOS (LBS.)	TEMPERATURA	MINUTOS/LIBRA
ASADO DE RES			
Costillar	4 – 6	325° F	17 a 21
Punta de solomillo	3 – 5	350° F	17 a 21
Lomo	3½ – 4	450° F	7 a 10
Cazuela de bife	4 – 6	300° F	26 a 34
Corned Beef	3½ – 4	300° F	15 a 17
CORDERO			
Pierna	5 – 8	350° F	20 a 22
Lomo, deshuesado	3 – 4	350° Fw	20 a 22
CERDO			
Lomo	3 – 5	350° F	21 a 26
Arrollado	4 – 6	350° F	30 a 34
Chuletas	4 – 5	325° F	15 a 17
Costillas	8 – 10	450° F para dorar y... luego bajar la temp. a 250° F	15 a 17
JAMÓN AHUMADO			
Con hueso, pierna	10 – 15	325° F	17 a 21
Deshuesado	8 – 12	325° F	15 a 17
Cocido	5 – 10	325° F	13 a 24
HÍGADO			
Lomo	4 – 6	325° F	26 a 30
Hombro	3 – 5	325° F	26 a 30
AVES			
Pollo, entero	3½ – 5	350° F	13 a 15
Pollo, entero	6 – 8	350° F	15 a 17
Pollo, trozos	6 – 8	350° F	7 a 9
Pavo, marinado	10 – 14	375° F	12 a 15
Pavo, marinado	14 – 22	375° F	13 a 15
Pavo, fresco	10 – 14	350° F	15 a 17

S8

Horneado*

- Las ollas de horneado siempre deben colocarse sobre la PARRILLA ASADORA. No coloque las ollas en el fondo de la CACEROLA ASADORA REMOVIBLE.
- Se recomienda el uso de ollas de metal con este horno ya que proporcionan una mejor transferencia de calor y son mejores para dorar.

COMIDA	AJUSTE DE TEMP.	TIEMPO DE COCCIÓN (MIN)
MUFFINS (MOLLETES)	425° F	15 to 20
PAN	375° F	65 to 75
PAN DE LEVADURA	400° F	40 to 45
ROLLOS DE LEVADURA	400° F	18 to 20
GALLETITAS	350° F	11 to 13
BROWNIES	350° F	25 to 30
MAGDALENAS	350° F	25 to 30
PASTEL	350° F	40 to 45
PANQUÉ	350° F	50 to 60
PASTEL DE ROSCA	350° F	50 to 60
PASTEL DE QUESO	325° F	50 to 60
TORTA DE FRUTA	425° F	45 to 50
TORTA DE CREMA	350° F	50 to 60
CUBIERTA DE REPOSTERÍA	425° F	10 to 13
PIZZA	425° F	20 to 25
PAPAS AL HORNO	350° to 400° F	50 to 60
BATATAS	350° to 400° F	55 to 65
PAPAS GRATINADAS	350° F	75 to 90
CALABAZA	400° F	45 to 60
MANZANAS ASADAS	350° F	35 to 45

* Precaliente siempre el asador antes de cocinar.

S9

RECIPES

POLLO ASADO AL LIMÓN Y AJO

- | | |
|---------------------------|--|
| 4 a 5-lb. de pollo | 2 cucharadas de jugo de limón |
| 3 dientes de ajo, picados | ½ cucharadita de pimienta negra molida |
| 1 cucharadita de sal | |
| ¼ taza de manteca, blanda | |

Enjuague el pollo en agua fría. Mezcle todos los ingredientes y frótelos sobre la piel y entre la piel y la carne del pollo. Coloque la parrilla en la cacerola. Coloque el pollo en la parrilla y tápelo. Cocínelo a 350°F por 1fi horas o hasta que esté cocido.

PAPAS AL HORNO

8 a 12 papas

Lave las papas y pínchelas con un tenedor. Coloque la parrilla en la olla. Apile las papas sobre la parrilla asadora, asegurándose de que no toquen los lados de la cacerola. Tápelas y cocínelas a 400° F durante 1 - 1fi horas.

GUISO DE CARNE COMUNITARIO

- | | |
|---|--|
| 8 -lbs. carne para guiso | 15 papas, peladas y cortadas en cubitos |
| 2 tazas de pan molido | |
| 2 cucharaditas de sal | 2 cucharadas de albahaca |
| ½ cucharadita de pimienta | 2 tazas de tapioca de cocción rápida |
| 4 cebollas grandes cortadas en trozitos | 8 latas (4 onzas) de hongos cortados, sin drenar |
| 4 libras de zanahorias bebé | 7 tallos de apio |
| 8 tazas de caldo de carne | |
| 15 latas (10fi oz c/u) de sopa de tomates concentrada | |

Mezcle la carne con los trozos de pan molido, sal y pimienta. Coloque la carne en la cacerola y agregue los demás ingredientes; mezcle bien. Tápela y cocínela a 250° F durante 4 o 5 horas o hasta que la carne y las verduras estén tiernas.

S10

RECIPES

CHILI PARA UNA MULTITUD

- | | |
|---|---|
| 3 libras de frijoles pinto, enjuagados y escurridos | 5 dientes de ajo, picados |
| 1 lata (28 onzas) de tomates picados | 2 chiles jalapeños, picados fino |
| 10 lib. cuarto delantero picado, cocido y escurrido | 3 cucharadas de comino |
| 12 tazas de agua | ¾ taza de ají en polvo |
| 2 pimientos verdes picados | 3 tazas de jugo de tomate |
| | 2 cebollas picadas |
| | 3 latas (10 fi oz c/u) de sopa de tomates y ají |

Precaliente el asador a 350°F. Combine los primeros 8 ingredientes en el asador. Tápelos y cocínelos durante 2 fi horas. Agregue el resto de los ingredientes. Tápelos y cocínelos otros 30 minutos o 1 hora.

ALBÓNDIGAS

- | | |
|---|---------------------------|
| 5 libras de carne picada | 1½ cucharaditas de sal |
| 1 taza de pan molido a la italiana condimentado | ½ cucharadita de pimienta |
| | 5 huevos |

Precaliente el asador con la cacerola colocada a 425°F. Mezcle todos los ingredientes. Haga bolitas de 1 pulgada. Colóquelas en la cacerola. Tápelas, cocínelas durante 30-45 minutos o hasta que estén hechas. Mezcle ocasionalmente para que se doren en todos lados. Hace aproximadamente 75 albóndigas.

COSTILLAS CORTAS ASADAS A LA PIMIENTA

- | | |
|--|-------------------------------------|
| 6 - 9 libras de costillas cortas | 15 dientes de ajo, picados |
| ¼ taza de pimienta negra recién molida | 5 latas (14½-oz.) de caldo de carne |
| 2 cucharaditas de sal | 1 taza de vino tinto, opcional |

Precaliente el asador a 450°F. Frote todos los lados de las costillas con pimienta y ajo. Espolvoréelas con sal. Colóquelas en la cacerola y tápelas. Cocínelas por 15-30 minutos, dándolas vuelta para que se doren por todos lados. Vierta el caldo sobre las costillas. Tápele, baje el calor a 300°F y cocínelo hasta que estén tiernas, 2-2 fi horas.

S11

RECIPES

SALSA PARA PASTA

1 lata (48-oz.) de jugo de tomate	1 taza de hojas de albahaca
4 latas (28-oz.) de tomates picados	¼ taza de hojas de orégano
2 latas (12-oz.) de extracto de tomate	1½ cucharadas de perejil
2 cucharadas de salsa inglesa	1 cucharada de tomillo
6 tazas de agua	1 cucharada de sal
5 dientes de ajo, picados	1 cucharadita de pimienta

Coloque el asador a 350°F. Agregue todos los ingredientes en un tazón para horno, mezclando bien para que se combinen. Tápelolo, cocínelo por 3-4 horas hasta que se espese, agregando las albóndigas durante la última hora o 1½ horas. Mezclar ocasionalmente.

CARNE ASADA PICANTE

2 (2½ a 3-lb.) bifés de aguja o cuadril	¼ taza de salsa de soya
2 - 3 cucharadas de pimienta en grano molida	2 cucharadas de salsa inglesa
1½ cucharadita de mostaza en polvo	4 dientes de ajo, picados
	½ cucharadita de sal
	3 cucharadas de vinagre balsámico

Pre caliente el asador a 350°F. Haga varios cortes en la parte de arriba de la carne. Coloque la carne en la parrilla Coloque la parrilla en el asador. Mezcle el vinagre, salsa de soya, salsa inglesa y mostaza. Cepille la carne con el adobo Mezcle la pimienta molida con el ajo. Frótela sobre la carne. Espolvoreelas con sal. Tápelolo, cocínelo por 20-25 minutos por libra o hasta que la carne se haga a su gusto.

S12

RECIPES

ASADO DE CERDO

4 - 5 lb. de lomo de cerdo	½ cucharadita de pimienta
4 dientes de ajo, picados	½ taza de salsa italiana
1 cucharadita de sal	¼ taza de salsa inglesa

Pre caliente el asador a 350°F. Coloque el lomo en la parrilla Presione el ajo picado sobre la superficie del lomo. Coloque la parrilla en el asador. Mezcle la salsa italiana e inglesa. Cepille el lomo con el adobo. Tápelolo, cocínelo durante 2-2 fi horas o hasta que esté hecho.

FRIJOLAS COCIDAS

2 latas (7-lbs. c/u) de cerdo y frijoles	½ taza de salsa inglesa
1½ taza de melaza	2 cucharadas de mostaza en polvo
1¼ taza de ketchup	1 libra de tocino, cocido hasta que esté crocante y cortado
¾ taza de salsa BBQ	

Mezcle los ingredientes en un tazón para horno y colóquelo en la cacerola. Tápelolo y cocínelo a 300°F por 2 horas o hasta que se haya calentado bien. Mezclar ocasionalmente.

S13